

75S2DC Series DC/DC

24V DC-operated LVDT, 1 to 10V DC Output



SENTECH INC.

The 75S2DC series of 24V DC-operated LVDTs are ideal position sensors for industrial automation and process applications. Available in measurement ranges of from 0.100" to 20.0" the 75S2DC series units offer a wide selection of units for industrial measurements. Often, the 75S2DC LVDTs can be powered directly from PLCs containing 24V DC power supplies. The PLC will accept the LVDT's output directly, thus eliminating the need for any external equipment for operation. These units provide a +1 to +10V DC output suitable for use with PLCs, data collection systems, readouts and other control devices. Additionally, the non-zero based output provides the user with fault detection capability. Most PLCs have comparator functions capable of providing an alarm indication should the LVDT output ever drop to 0 Volts, indicating a system or LVDT malfunction. Overall the 75S2DC series LVDTs represent an ideal method of providing measurement functions for SPC data collection and process control functions.

Features

- +24V DC Operation:
Can Be Powered By Many PLCs
- Low Noise +1 to +10V DC Output
- Easy 3 wire Connection

Technical Specifications

UNIT SPECIFICATIONS

Model Number	Linear Range inches (mm)	Scale Factor V/inch (mV/mm)	Frequency Response -3dB@Hz	'A' dim. Body Length inches (mm)	'B' dim. Core Length inches (mm)	'C' dim. Core Position at 1V DC inches (mm)
75S2DC-050SR	0.100 (2.54)	90 (3543)	500	3.80 (96.5)	0.75 (19.1)	0.45 (11.4)
75S2DC-125SR	0.250 (6.35)	36 (1417)	500	4.70 (119.4)	1.25 (31.8)	0.81 (20.6)
75S2DC-250SR	0.500 (12.70)	18 (709)	500	5.49 (139.4)	2.00 (50.8)	1.10 (27.9)
75S2DC-500SR	1.000 (25.40)	9 (354)	200	7.00 (177.8)	3.00 (76.2)	1.70 (43.2)
75S2DC-1000SR	2.000 (50.80)	4.5 (177)	200	9.50 (241.3)	3.80 (96.5)	2.19 (55.6)
75S2DC-2000SR	4.000 (101.60)	2.3 (89)	200	13.00 (330.2)	5.30 (134.6)	2.88 (73.2)
75S2DC-3000SR	6.000 (152.4)	1.5 (59)	200	18.00 (457.2)	6.20 (157.5)	4.56 (115.8)
75S2DC-5000SR	10.000 (254.00)	0.9 (35)	200	22.00 (558.8)	6.20 (157.5)	4.54 (115.3)
75S2DC-10000SR	20.000 (508.00)	0.5 (18)	200	34.00 (863.6)	10.00 (254)	5.88 (149.4)

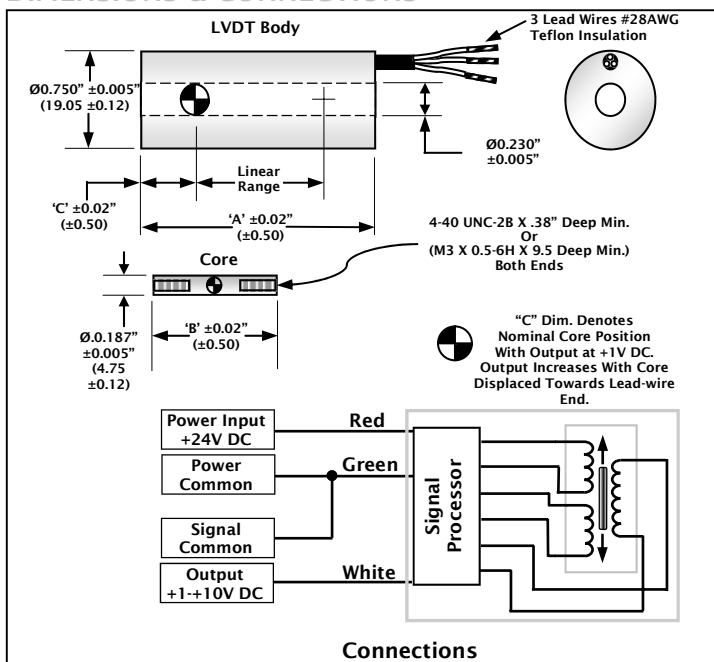
WARRANTY

All Sentech Inc. products are warranted against defective materials and workmanship. This warranty applies for a period of one year from the date of delivery to the original purchaser. Any product that is found within the one year period not to meet these standards will be replaced or repaired at the discretion of Sentech Inc. No other warranty is expressed or implied. Although Sentech Inc. manufactures its products to exacting specification standards, we assume no responsibility for their misuse. Sentech Inc. accepts no liability for damages, incidental or punitive, in applications using our products. *Please note:* It is solely the user's responsibility to properly install and maintain transducers. Sentech Inc. manufactures its products to meet stringent specifications and cannot assume responsibility for those consequences arising from their misuse or unauthorized modification.

Printed in USA.

SPECIFICATIONS SUBJECT TO CHANGE WITHOUT NOTICE

DIMENSIONS & CONNECTIONS



Available Options

- Metric Threaded Cores
- Teflon Jacketed Cores
- Decreasing Output +10 to +1V DC (Reverse of Standard.)
- Alternate Scaling +1 to +6V DC, +1 to +5V DC, etc.

GENERAL SPECIFICATIONS

Non-Linearity	±0.25% of Full Scale
Operating Temperature Range	32°F to 160°F (0°C to 70°C) Wider range available
Input Voltage	+24V DC Nominal 20mA
Output Voltage	+1 to +10 V DC
Ripple Voltage	< 25 mV RMS
Output Impedance	< 1 ohm

ORDERING INFORMATION

- Specify Model Number
- Specify Options

SENTECH, INC.

2851 Limekiln Pike
North Hills, PA 19038 USA
Tel: (215) 887-8665
Fax: (215) 887-8449
sales@sentechlvd.com
www.sentechlvd.com
75S2DC ©Sentech, Inc. 2002
RLA 5/02